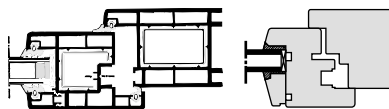


ROTO NT

K, A, E5 Hinge Adjustment



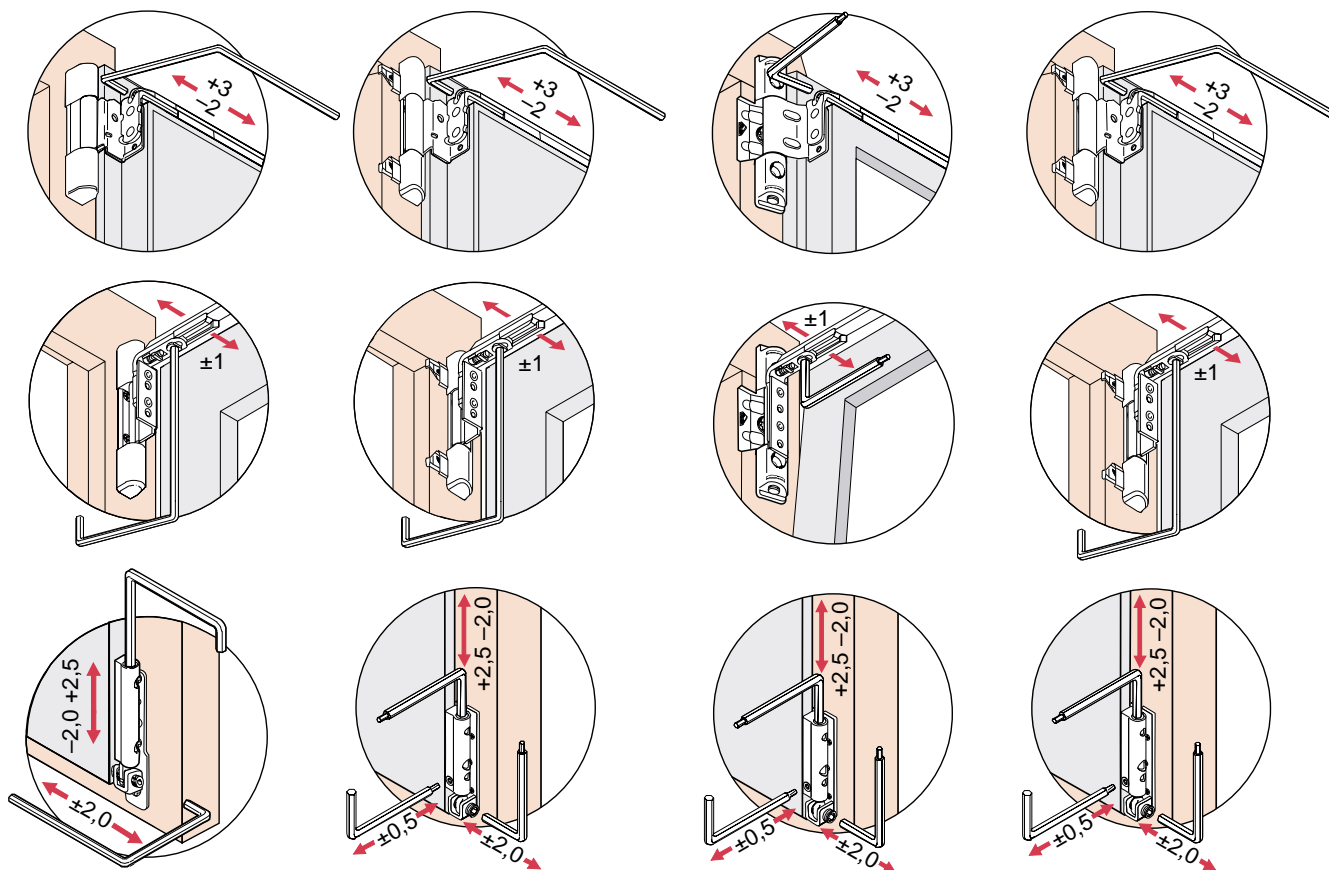
ROTO parts must only be adjusted by qualified personnel.

PVC windows and doors
Hinge side K

Hinge side A *

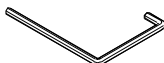
Timber windows and doors
Hinge side E5

Hinge side A *

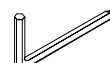


Adjustment Tools:

4 mm key
P 010 A 2100



5 / 4 mm key
P 010 A 2400



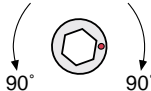
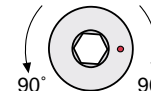


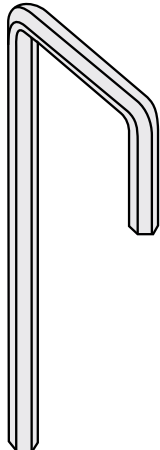
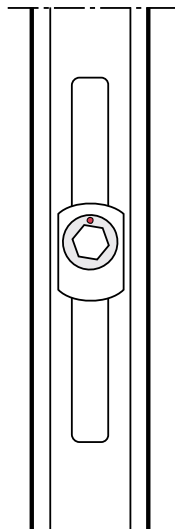
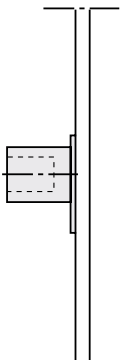
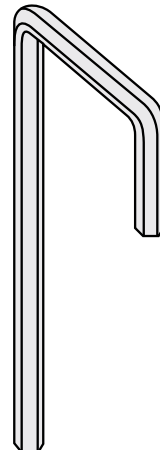
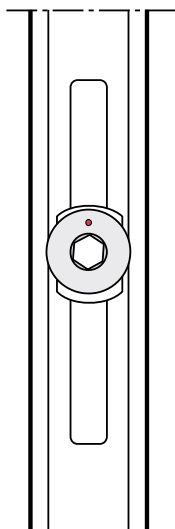
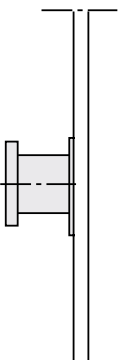
* Dimensions stated may vary






ROTO FRANK AG
Stuttgarter Straße 145-149
70771 Leinfelden-Echterdingen
Telephone: 01788 558600
Fax: 01788 558605
Internet: www.roto.de
email: info@roto-frank.com

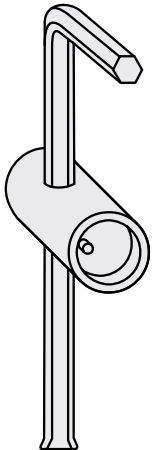
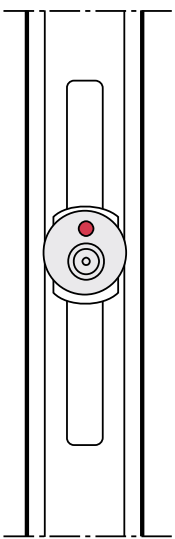
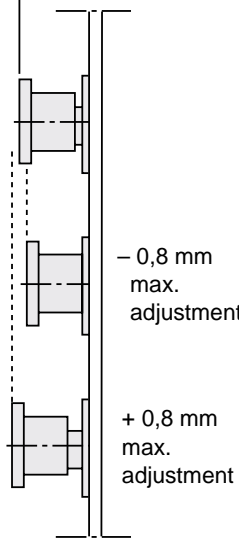
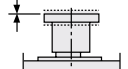


Adjustable Cam

Cam E	Adjustment in Degrees	Closing pressure adjustment in mm	Cam P	Adjustment in Degrees	Closing pressure adjustment in mm
	Base Position 	-		Base Position 	-
		+/- 0.8			+/- 0.8

					
--	--	--	---	--	--

Cam V	Adjustment in Degrees	Closing pressure adjustment in mm	Height adjustment in mm
	Base Position 	-	-
		+/- 0,8	+/- 0,2
		-	+/- 0,4
		+/- 0,8	+/- 0,6
		-	+/- 0,8

			
	0 = Base position	- 0,8 mm max. adjustment	
		+ 0,8 mm max. adjustment	